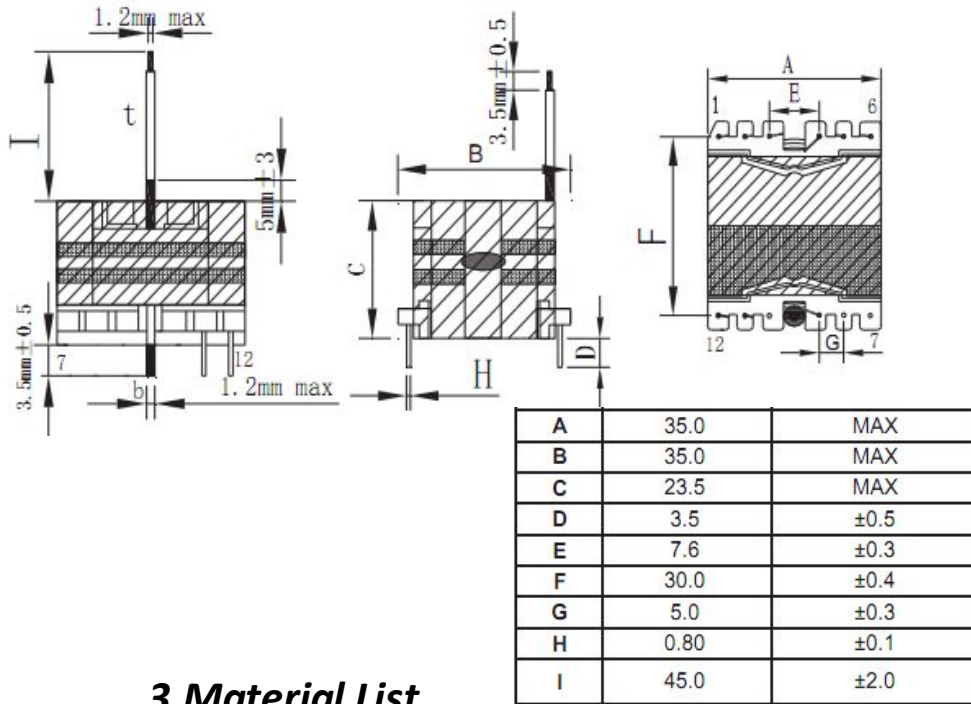


CUSTOMER TERMINAL	ROHS	Lead(Pb)-free
	YES	YES

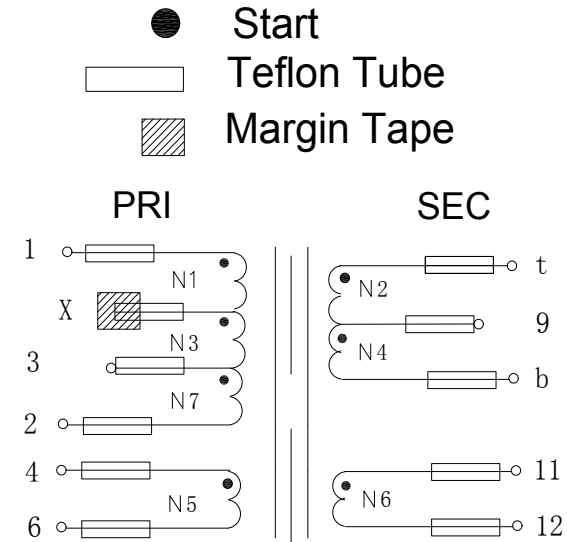
1. Mechanical Dimensions



3. Material List

Core:FW44 PQ3220
 Bobbin:FWB3201-1(6+6PIN)
 Wire:2UEW TIW
 Copper foil:0.025t*8.0mm
 Operating Temperature: -30 to115 °C

2. Schematic Diagram



4. Electrical Specification

Inductance : $L(1-2):0.7\text{mH}\pm 5\%$ 30KHZ , 1.0V
 Leakage Inductance : 10uH MAX 30KHZ , 1.0V
 DCR : (1-2)=0.432Ω MAX (B-T)=0.636Ω MAX
 Hi-Pot:P-S: AC 60Hz 4000V 2mA 3S
 P-CORE: AC 60Hz 500V 2mA 3S

REV.	DATE	 Convention Placement	DRW.	Drawing Title:	Part No:		
0	00/00		CHK.			TRANSFORMER	FWPTPQ3220V701J
			APP.			Customer P/N	Specification Sheet 1of 1

ROHS

www.ferriwo.com